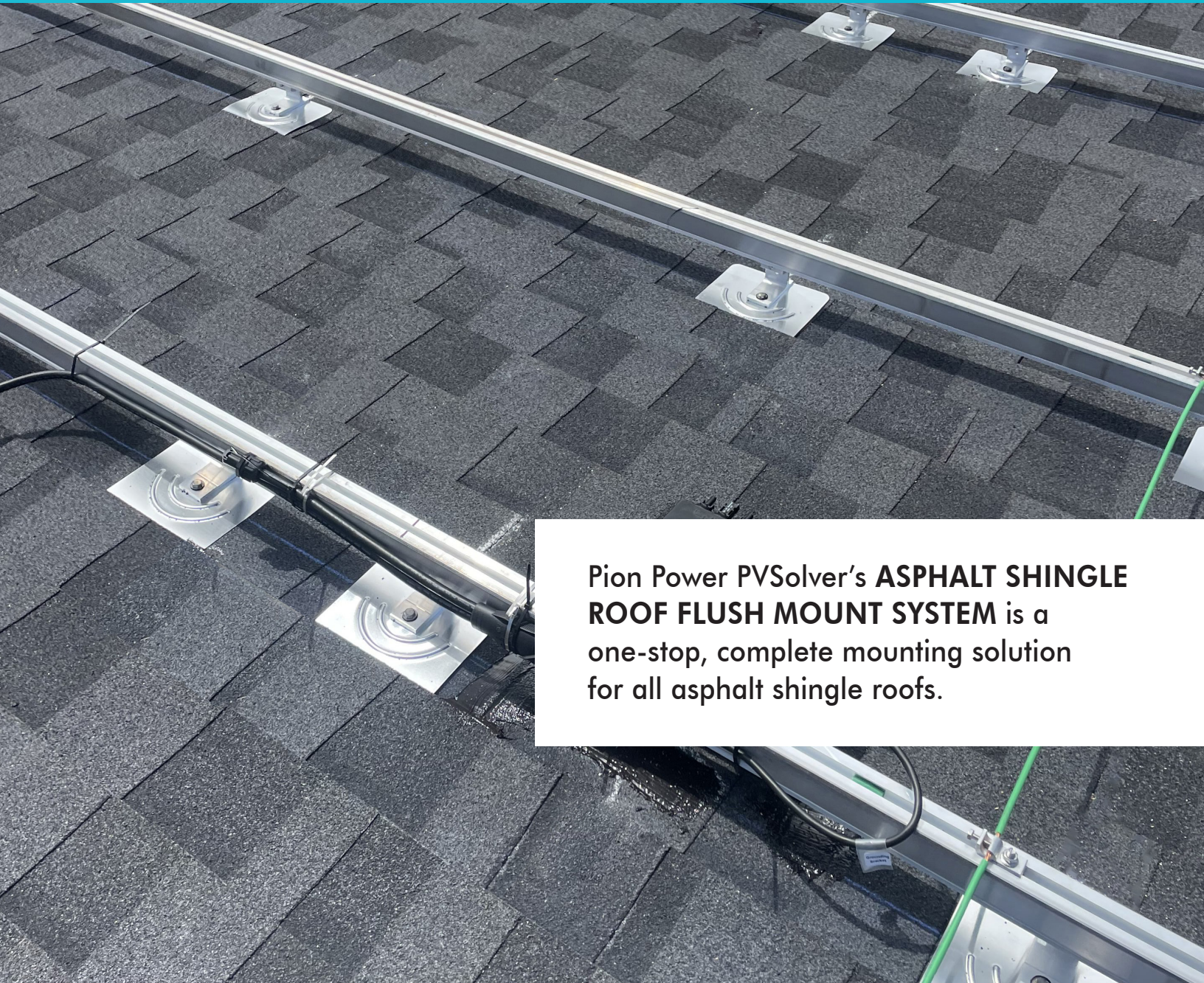


**GRIDIRON™**  
We generate peace-of-mind.

**PION POWER™**

Building A Future With Clean Energy



Pion Power PVSolver's **ASPHALT SHINGLE ROOF FLUSH MOUNT SYSTEM** is a one-stop, complete mounting solution for all asphalt shingle roofs.

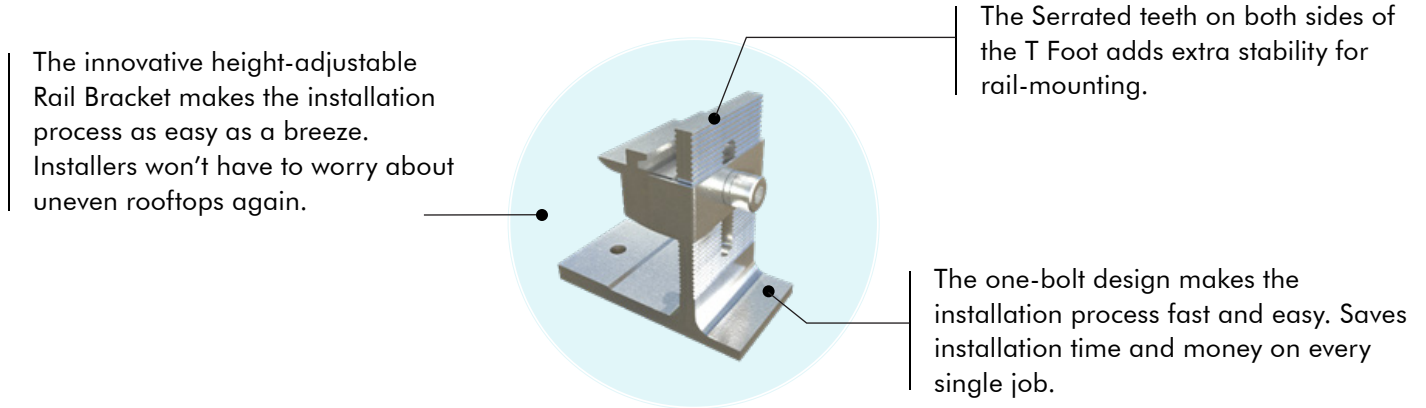
✉ Email: [info@gridironpower.ca](mailto:info@gridironpower.ca)

☎ Toll Free: 1.877.829.0013



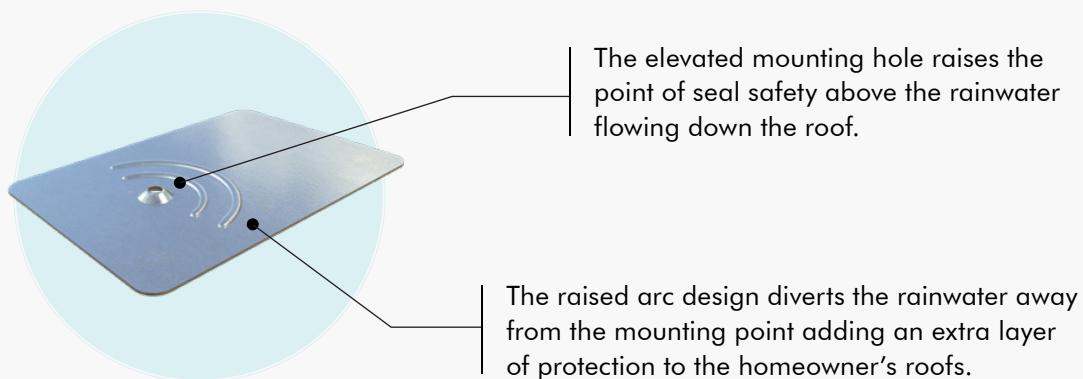
## T FOOT PACKAGE

The T Foot Package features a T shaped design for added durability when compared to the L shaped brackets which are commonly found in the market.



## PVSOLVER FLASHING

The Pion Power PVSolver Flashing features the industry-leading waterproof design. The Flashing comes with integrated EPDM rubber washer and gasket.

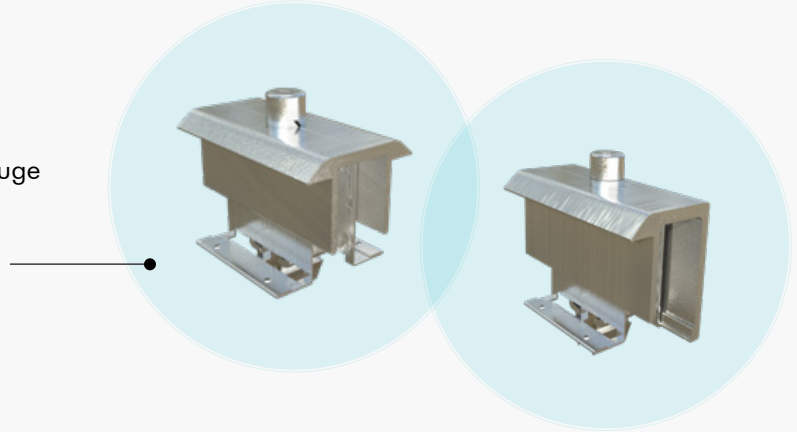


---

## PRE-ASSEMBLED MID AND END CLAMP PACKAGES

The Pion Power Pre-Assembled mid and end Clamp Packages are compatible with all standard module frames. The clamps are easily adjustable to fit various frame profiles. The “Click and Fasten” design makes module installation faster and easier than never.

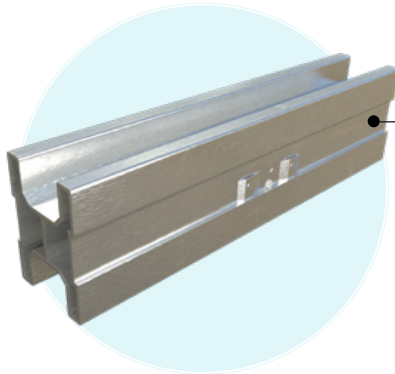
The clamps come with integrated two-sided bonding WEEBs that bite into Rails and the module frames eliminating the needs to run copper wires between modules, providing huge saving on both material and labour costs.



---

## PVSOLVER RAILS

The Pion Power PVSolver rails offer different options: 4.8m, 3.8m, and 2.5m. The 2.5m rail option significantly reduces the costs on logistics, making the products even more cost-effective.



The rail connector utilize a “snap-lock” installation method, eliminating the need for screws and hinges, saving on installation labour and time. The integrated bonding washer also eliminates the necessity for extra bonding between the rails.

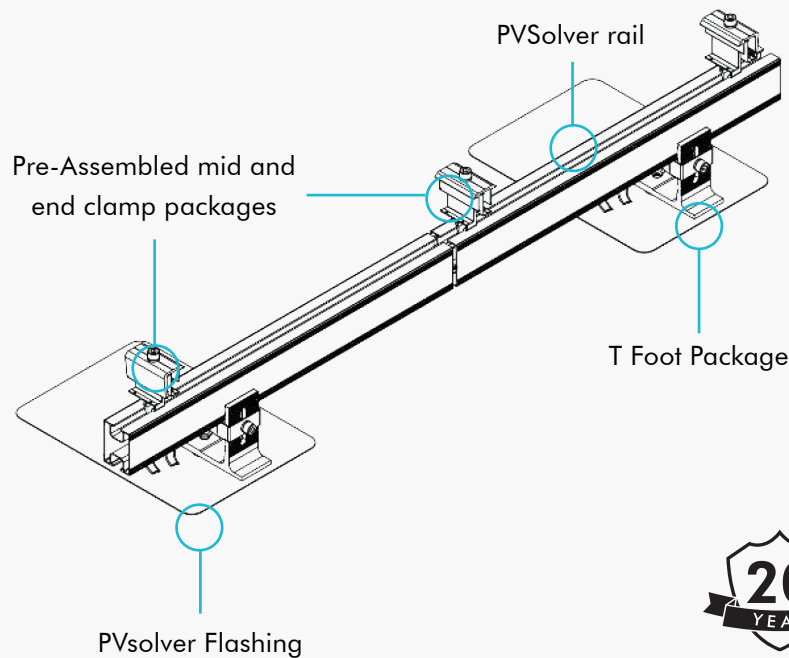
---

## OPTIONAL RODENT GUARD

The optional rodent guard provides an extra protection to your solar investment.



The **ASPHALT SHINGLE ROOF FLUSH MOUNT SYSTEM** features Pion Power PVSolver's single bolt attachment design which not only makes the installation process fast and easy but also saves installation time and money.



LIMITED PRODUCT WARRANTY



Toll Free: 1 .877.829.0013  
Email: [info@gridironpower.ca](mailto:info@gridironpower.ca)